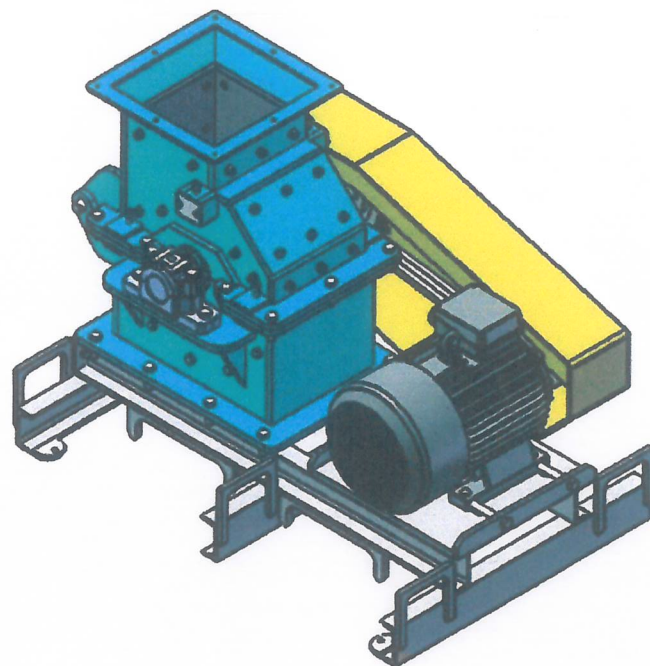


# Operating manual and technical data

## HAMMER MILL OM-HM-1





ORIGINAL

TECHNICAL DATA

2 Technical data

2.1 Characteristic plate

 	
MB "Omecha" J. Basanavicius pl. 28-20 Kaunas, Lithuania	
TITLE	<input type="text"/>
NUMBER	<input type="text"/>
DATE	<input type="text"/>
OTHER INFO	<input type="text"/>

2.2 Technical machine data

<b>Overall dimensions</b>		
length	1300	(mm)
width	800	(mm)
height	880	(mm)
<b>Weight</b>	700	(kg)
<b>Power connection</b>		
capacity	11	(kW)
voltage	380	(V)
frequency	50	(Hz)
protection class	54	(IP)
<b>Noise level</b>	<70	(dB)
<b>Working temperature</b>	-5/+45	(°C)
<b>Material</b>		painting steel
main color	RAL5012	
second color	RAL7040	
third color	RAL1003	Protection, covers
<b>Motorgear</b>	none	

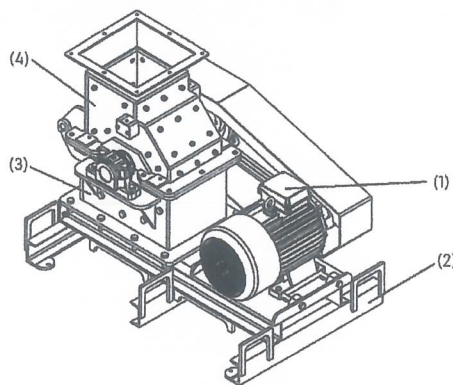
### 3 Design and function

*Hammer mill* is used to crush and pulverize various big solid particles into smaller ones or to fine grade particles.

*Hammer blades* rotate on horizontal axis and feed product through screen by smashing big particles into it.

Machine consist of 4 main parts (machine is fully assembled):

- electric motor (1)
- support frame (2)
- lower mill base (3)
- upper mill base (4)



All machine components are specified in „Drawings“ section

☞ see „Drawings“ chapter

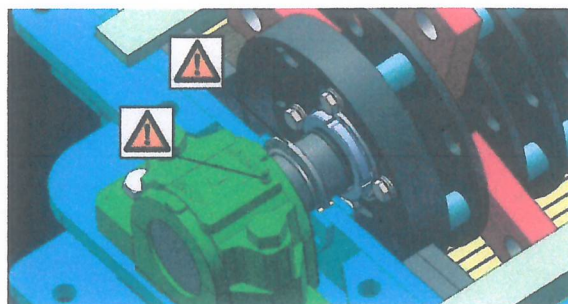
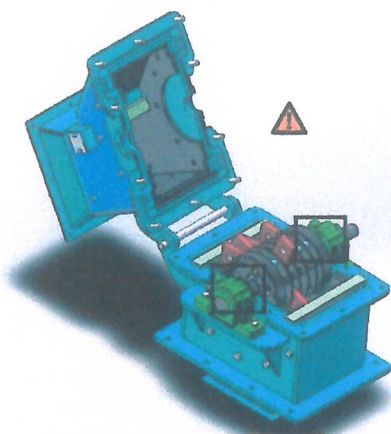
INTERVALS	PART	WHAT TO DO
Every 6 month of operation	Gearmotor	Check and run gear and motor, check that it does not emit any different sounds than in normal operating cycle
	Pulleys, sprockets	check whether chain_belt is worn, sprockets_sheave worn out
	Construction	Check if there is no rupture, fatigue signs on weld lines
	Electrical	Check all electrical functions

### 5.2.1 Lubrication



**NOTICE!**

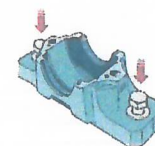
These parts along with bearings must be lubricated everytime you change the blades. Seals must be changed into new ones. Grease should be used Molykote® BR2 Plus or analog from other manufacturers.



### 5.2.2 Bearing mounting

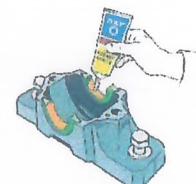
**First step (1)**

- Ensure that the environment is clean
- If the bearing is mounted on an adapter sleeve, determine the position of the housing
- Position the housing on the support surface, fit the attachment bolts but do not tighten them



**Second step (2)**

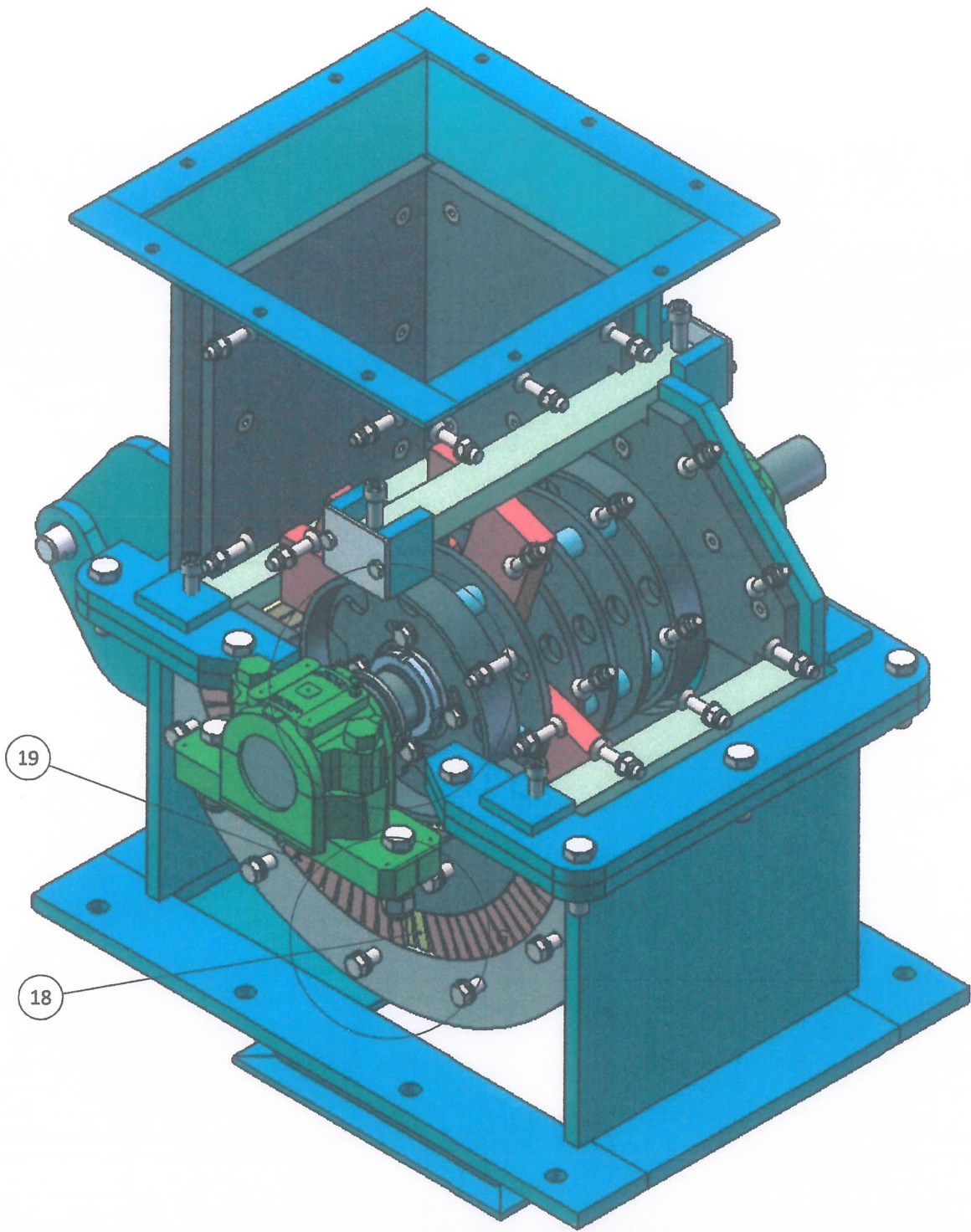
- Insert one seal half in each of the grooves in the housing base
- Fill the space between the two sealing lips with grease



**Third step (3)**

- Mount the bearing on the shaft - either directly on a stepped shaft or using an adapter sleeve
- Completely fill the bearing with grease
- The remainder of the recommended grease quantity should be put in the housing base at the sides





- 1. \* Informacinis r
- 2. Nenurodytos nr
- 3. Aštrias briauna

	
Parengė	T.Teskevic
Tikrino	T.Teskevic
T. kontr.	
Formatas	A3